

AL-35

Intel® Alder Lake/Raptor Lake U Series Processor based 3.5" Disk Size Motherboard



Features

- CPU: Intel® Alder Lake/Raptor Lake U Series Processor
- Memory: Dual Channel SO-DIMM DDR4 up to 64GB
- Display: Integrated Graphics display via 2xHDMI®, eDP/LVDS
- Ethernet: 1xIntel® i219(1.0G)+ 1xIntel® i210(1.0G)
- Storage: SATA, M.2_2242 for SATA/4G, M.2_2280 for NVMe
- Expansion: M.2 for Wi-Fi
- Power: 9V-35V(2-Pin DC-IN Phoenix Connector)



IoT Solutions
Alliance
Industrial Solution
Builders Specialist

Maxtang®

MAXIMIZING YOUR COMPUTING PRODUCTIVITY

Introduction

The Maxtang SBC-AL35 is a powerful and energy-efficient embedded motherboard designed for industrial applications. It is equipped with Intel® Alder Lake/Raptor Lake U series processor and supports up to 64GB of dual-channel SO-DIMM DDR4 memory, providing enhanced performance and productivity. The board also offers a range of display options, including HDMI®, eDP, and LVDS, and features two Intel Ethernet controllers, two M.2, and SATA for storage, making it a versatile solution for a variety of applications.

Moreover, the SBC-AL35 provides a comprehensive input/output interface, including 6x COM, 4x USB3.2, 4xUSB2.0, 8xGPIO, and an audio port, making it easy to connect to a wide range of peripherals. The board is designed for stability and reliability and is built with a robust design to withstand harsh industrial environments. As a member of the Intel IoT Solutions Alliance, Maxtang is committed to delivering high-quality products at a competitive price to meet the needs of its customers.

I/O Interfaces



H/W Monitor



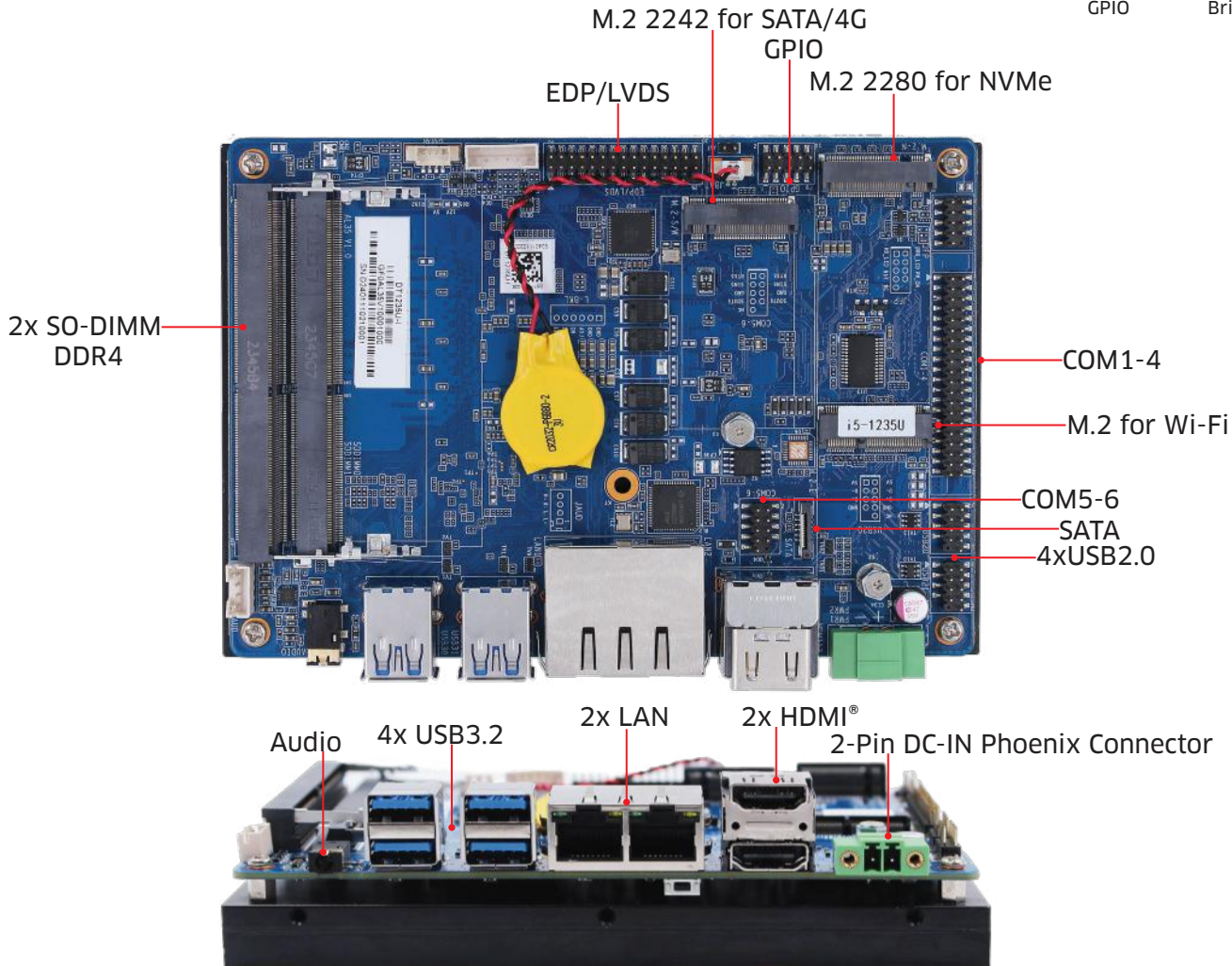
Watchdog



GPIO



Brightness

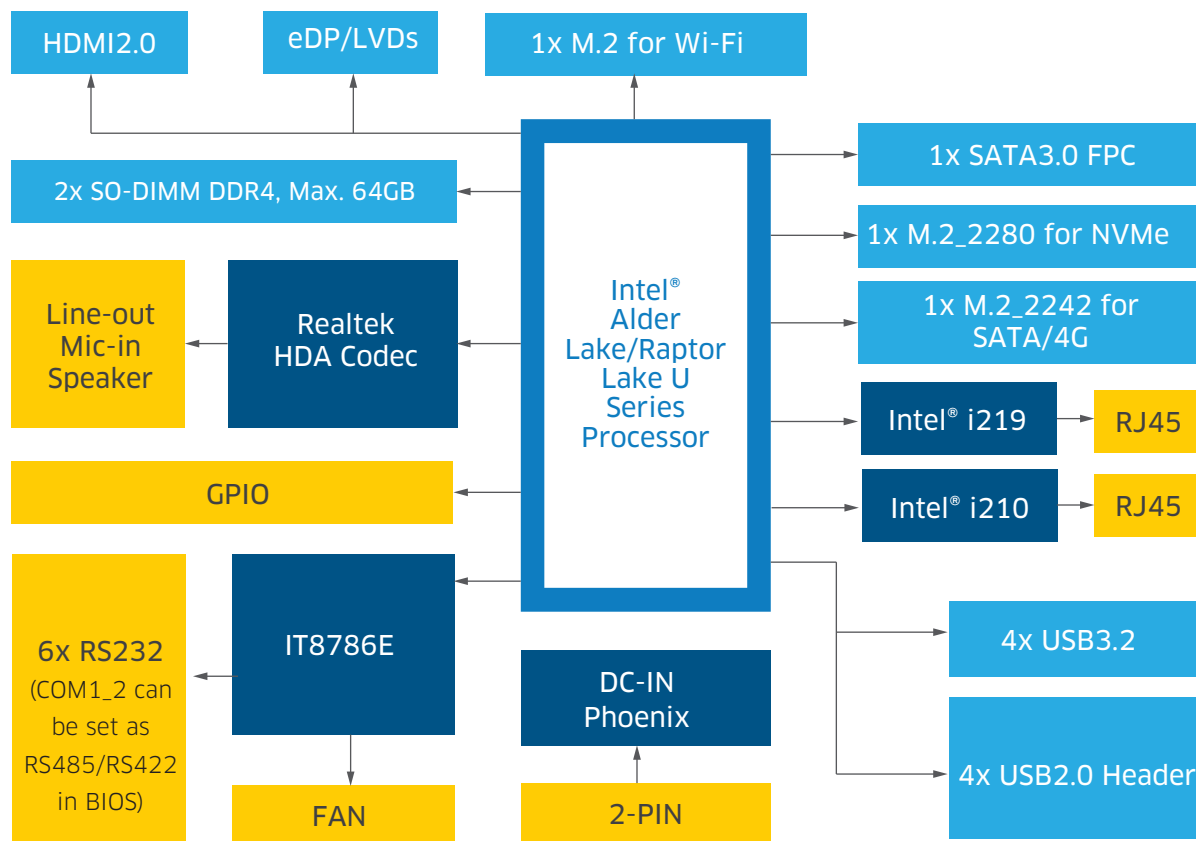


Technical Specifications

Processor	Intel® Core™ CPU	i7-1255U	i5-1235U	i3-1215U
	Total Cores/Threads	10C/12T	10C/12T	6C/8T
	P-core Max Turbo Frequency	4.70GHz	4.40GHz	4.40GHz
	E-core Max Turbo Frequency	3.50GHz	3.30GHz	3.30GHz
	Intel® Smart Cache	12MB	12MB	10MB
Memory	BIOS	AMI UEFI BIOS		
	Type	Dual Channel SO-DIMM DDR4		
Display	Max. Capacity	64GB		
	GPU	Integrated Graphics based on CPU. Intel® Iris® Xe or UHD Graphics		
Ethernet	Display via	2xHDMI2.0 + 1x eDP/LVDs		
	Controller	Intel® i219 Data Rate per Port: 1.0G		
Audio		Intel® i210 Data Rate per Port: 1.0G		
	Interface	2xRJ45		
	Wake on LAN	Yes		
Hardware	Audio Codec	Realtek HD		
	Interface	1xCTIA 2-in-1 Audio Jack, supports Line-out + Mic-in and power amplifier		
Storage		CPU system temperature, on-board DC-in voltage, watchdog, auto power on		
	M.2	1x M.2_2242 for SATA SSD/4G		
		1x M.2_2280 for NVMe SSD		
Expansion	SATA3.0	1x SATA3.0 FPC Interface		
	M.2	1x M.2 for Wi-Fi, Supports PCIe&CNVi		
Other I/O	COM	6*RS232. The COM1_2 can be set as RS485/RS422 in BIOS.		
		The COM5,COM6 are 2-wire serial communication		
	USB3.2	4		
	USB2.0	4*header		
	GPIO	8		
Dimension	SIM	Optional		
	Size	146 mm x 102mm		
Power	Board Type	3.5" Disk Size SBC		
	Standard Port	12V-35V, 2-Pin DC-IN Phoenix Connector		
	Peripheral Input	For Fan and SATA		
Temperature	LED Indicator	Power Indicator		
	Operating Temp.	-20°C to 60°C		
Operating System	Storage Temp.	-40°C to 80°C		
		Win10/11 64bit, Linux 64bit		

* All specifications and photos are subject to change without notice.

Functional Block Diagram



Order Information

Model Name	Description
DT1235U-I	DT Intel Core-i5 1235U AL35V1.0 2DDR4 2LAN 6*RS232 2HDMI®+LVDS

*For customized options, please consult regional sales. And please confirm the model name and description before purchasing. *The model name and description might vary due to inventory changes.

HDMI™
HIGH-DEFINITION MULTIMEDIA INTERFACE

Maxtang®
MAXIMIZING YOUR COMPUTING PRODUCTIVITY

SHENZHEN MAXTANG COMPUTER CO. LTD.

6/F, Bldg 3, Honghui Indl Park, Liuxian 2nd Road, Bao'an Dist, Shenzhen, China 518101

Tel.: +86 755 86143003 | Fax: +86 755 86143003 | sales@datangpc.com

www.maxtangpc.com